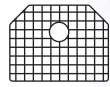


STAINLESS STEEL HANDMADE SINKS

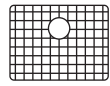


SIS-G-Z100

R15
U

PART# **DEPTH** **THICKNESS**

C	CHEF-Z100	10"	16 Gauge
S	SIS-CZ100	10"	16 Gauge
S	SIS-UZ100	9"	18 Gauge
K	SIS-KZ100	-	-



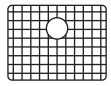
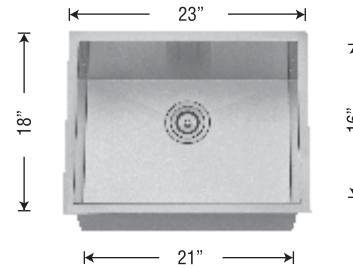
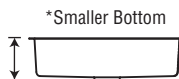
SIS-G-Z101
*SIS-G-Z101X

R15
U

PART# **DEPTH** **THICKNESS**

C	CHEF-Z101	10"	16 Gauge
S	SIS-CZ101	10"	16 Gauge
S	SIS-UZ101	9"	18 Gauge
* S	SIS-UZ101X	9"	18 Gauge
** K	SIS-KZ101	-	-

**Not available for model SIS-UZ101X



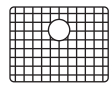
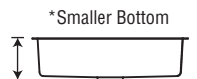
SIS-G-Z101
*SIS-G-Z101X

R0
U

PART# **DEPTH** **THICKNESS**

C	CHEF-Z101-ZR	10"	16 Gauge
S	SIS-CZ101-ZR	10"	16 Gauge
S	SIS-UZ101-ZR	9"	18 Gauge
* S	SIS-UZ101X-ZR	9"	18 Gauge
** K	SIS-KZ101	-	-

**Not available for model SIS-UZ101X-ZR

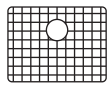
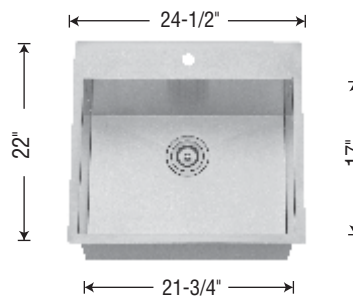


SIS-G-Z101-DI

R15
D

PART# **DEPTH** **THICKNESS**

S	SIS-UZ101-DI	9"	18 Gauge
S	SIS-UZ101-DIA5	5-1/2"	18 Gauge



SIS-G-Z101-DI

R0
D

PART# **DEPTH** **THICKNESS**

S	SIS-UZ101-ZRDI	9"	18 Gauge
S	SIS-UZ101-ZRDI5	5-1/2"	18 Gauge

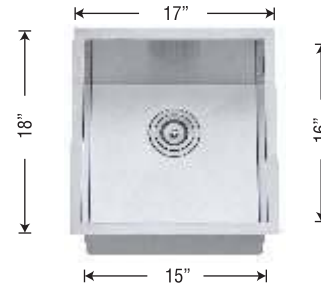
U Undermount **DU** Drop-in or Undermount **C** Combo package **S** Sink only **R15** 15mm radius corners **R0** Zero radius 90° corners **K** Kit (1 strainer, 1 salad bowl, 1 grid set, 1 glass cutting board)

STAINLESS STEEL HANDMADE SINKS



SIS-G-Z102
*SIS-G-Z102

R15
U

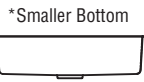


SIS-G-Z102
*SIS-G-Z102

R0
U

PART# **DEPTH** **THICKNESS**

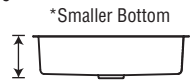
C	CHEF-Z102	10"	16 Gauge
S	SIS-CZ102	10"	16 Gauge
S	SIS-UZ102	9"	18 Gauge
* S	SIS-UZ102X	9"	18 Gauge
** K	SIS-KZ102	-	-



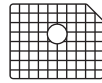
**Not available for model SIS-UZ102X

PART# **DEPTH** **THICKNESS**

C	CHEF-Z102-ZR	10"	16 Gauge
S	SIS-CZ102-ZR	10"	16 Gauge
S	SIS-UZ102-ZR	9"	18 Gauge
* S	SIS-UZ102X-ZR	9"	18 Gauge
** K	SIS-KZ102	-	-

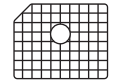


**Not available for model SIS-UZ102X-ZR



SIS-G-Z103

R15
U



SIS-G-Z103R

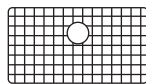
R15
U

PART# **DEPTH** **THICKNESS**

C	CHEF-Z103	10"	16 Gauge
S	SIS-CZ103	10"	16 Gauge
S	SIS-UZ103	9"	18 Gauge
K	SIS-KZ103	-	-

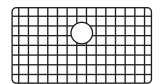
PART# **DEPTH** **THICKNESS**

C	CHEF-Z103R	10"	16 Gauge
S	SIS-CZ103R	10"	16 Gauge
S	SIS-UZ103R	9"	18 Gauge
K	SIS-KZ103	-	-



SIS-G-Z105
*SIS-G-Z105X

R15
U

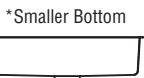


SIS-G-Z105
*SIS-G-Z105X

R0
U

PART# **DEPTH** **THICKNESS**

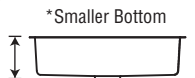
C	CHEF-Z105	10"	16 Gauge
S	SIS-CZ105	10"	16 Gauge
S	SIS-UZ105	9"	18 Gauge
* S	SIS-UZ105X	9"	18 Gauge
** K	SIS-KZ105	-	-



**Not available for model SIS-UZ105X

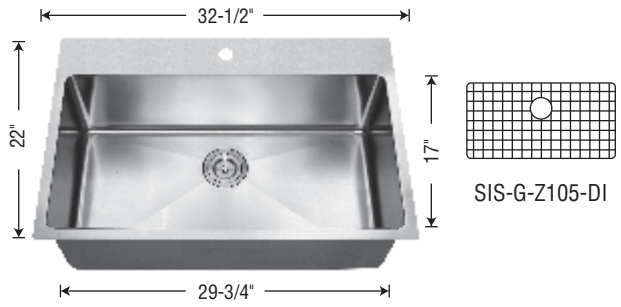
PART# **DEPTH** **THICKNESS**

C	CHEF-Z105-ZR	10"	16 Gauge
S	SIS-CZ105-ZR	10"	16 Gauge
S	SIS-UZ105-ZR	9"	18 Gauge
* S	SIS-UZ105X-ZR	9"	18 Gauge
** K	SIS-KZ105	-	-



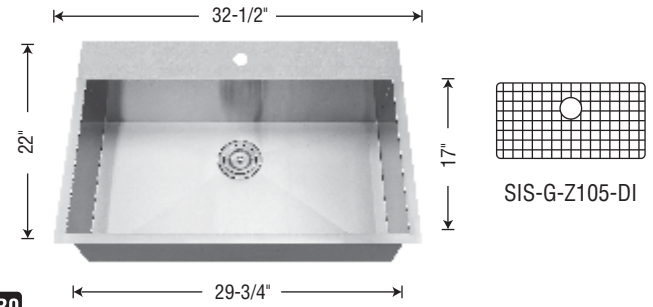
**Not available for model SIS-UZ105X-ZR

STAINLESS STEEL HANDMADE SINKS



R15
D

PART#	DEPTH	THICKNESS
S SIS-UZ105-DI	9"	18 Gauge
S SIS-UZ105-DIA5	5-1/2"	18 Gauge



R0
D

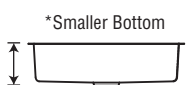
PART#	DEPTH	THICKNESS
S SIS-UZ105-ZRDI	9"	18 Gauge
S SIS-UZ105-ZRDI5	5-1/2"	18 Gauge



R15
U

PART#	DEPTH	THICKNESS
C CHEF-Z105-30	10"	16 Gauge
S SIS-CZ105-30	10"	16 Gauge
S SIS-UZ105-30	9"	18 Gauge
* S SIS-UZ105X-30	9"	18 Gauge
** K SIS-KZ105-30	-	-

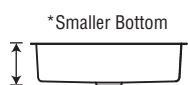
**Not available for model SIS-UZ105X-30



R0
U

PART#	DEPTH	THICKNESS
C CHEF-Z105-30ZR	10"	16 Gauge
S SIS-CZ105-30ZR	10"	16 Gauge
S SIS-UZ105-30ZR	9"	18 Gauge
* S SIS-UZ105X-30ZR	9"	18 Gauge
** K SIS-KZ105-30	-	-

**Not available for model SIS-UZ105X-30ZR



R15
U

PART#	DEPTH	THICKNESS
C CHEF-Z105-36	10"	16 Gauge
S SIS-CZ105-36	10"	16 Gauge
S SIS-UZ105-36	9"	18 Gauge
K SIS-KZ105-36	-	-



R0
U

PART#	DEPTH	THICKNESS
C CHEF-Z105-36ZR	10"	16 Gauge
S SIS-CZ105-36ZR	10"	16 Gauge
S SIS-UZ105-36ZR	9"	18 Gauge
K SIS-KZ105	-	-

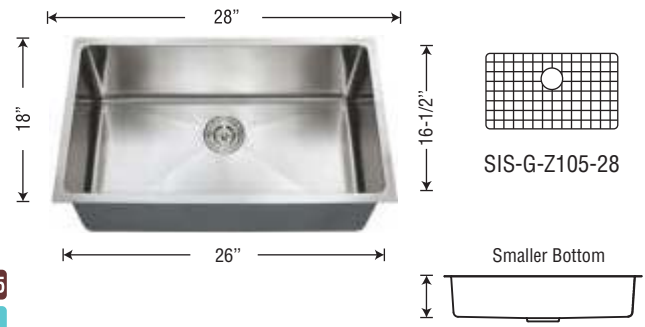
U Undermount **DU** Drop-in or Undermount **C** Combo package **S** Sink only **R15** 15mm radius corners **R0** Zero radius corners **K** Kit (1 strainer, 1 salad bowl, 1 grid set, 1 glass cutting board)

STAINLESS STEEL HANDMADE SINKS



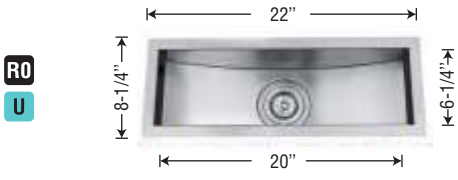
RO
U

PART#	DEPTH	THICKNESS
C CHEF-Z105RIM-ZR	9-1/2"	16 Gauge
S SIS-CZ105RIM-ZR	9-1/2"	16 Gauge
S SIS-UZ105RIM-ZR	8-1/2"	18 Gauge
K SIS-KZ105RIM-ZR	-	-



R15
U

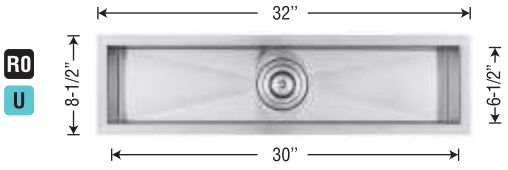
PART#	DEPTH	THICKNESS
S SIS-UZ105-28X	7"	18 Gauge
S SIS-UZ105-28XA5	5-1/2"	18 Gauge



RO
U

PART#	DEPTH	THICKNESS
S SIS-UZ106-ZR	4-7/8"	18 Gauge

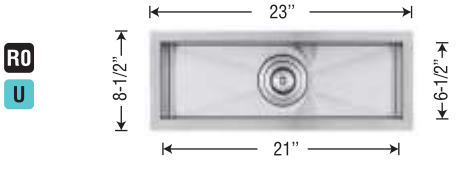
Grids not available



RO
U

PART#	DEPTH	THICKNESS
S SIS-UZ107-ZR	6"	18 Gauge

Grids not available



RO
U

PART#	DEPTH	THICKNESS
S SIS-UZ108-ZR	6"	18 Gauge

Grids not available



RO
U

PART#	DEPTH	THICKNESS
S SIS-CZ109-ZR	6"	16 Gauge

Grids not available



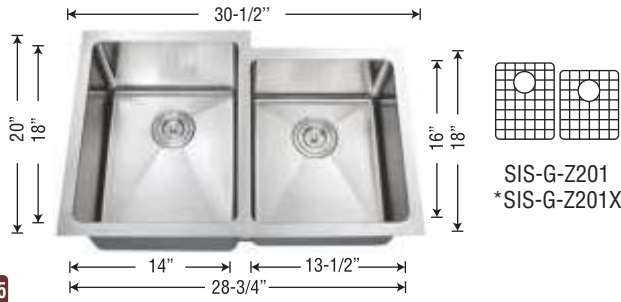
RO
U

PART#	DEPTH	THICKNESS
S SIS-CZ110-ZR	6"	16 Gauge

Grids not available

U Undermount **DU** Drop-in or Undermount **C** Combo package **S** Sink only **R15** 15mm radius corners **RO** Zero radius 90° corners **K** Kit (1 strainer, 1 salad bowl, 1 grid set, 1 glass cutting board)

STAINLESS STEEL HANDMADE SINKS



R15
U

SIS-G-Z201
*SIS-G-Z201X



R15
U

SIS-G-Z201

PART# **DEPTH** **THICKNESS**

C	CHEF-Z201	10" & 8"	16 Gauge
S	SIS-CZ201	10" & 8"	16 Gauge
S	SIS-UZ201	9" & 8"	18 Gauge
*	SIS-UZ201X	9" & 8"	18 Gauge
**	K SIS-KZ201	-	-

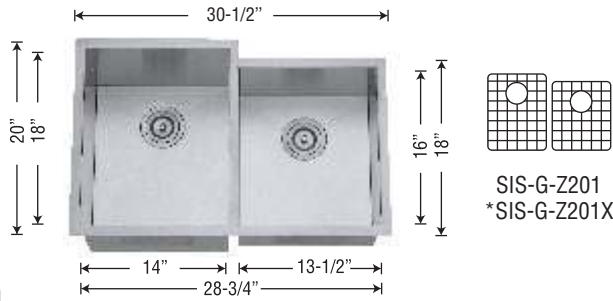
*Smaller Bottom



**Not available for model SIS-UZ201X

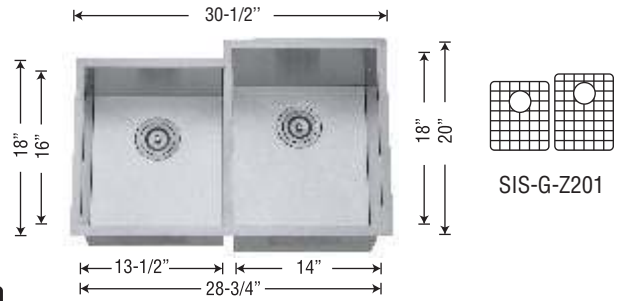
PART# **DEPTH** **THICKNESS**

C	CHEF-Z201R	8" & 10"	16 Gauge
S	SIS-CZ201R	8" & 10"	16 Gauge
S	SIS-UZ201R	8" & 9"	18 Gauge
K	SIS-KZ201	-	-



R0
U

SIS-G-Z201
*SIS-G-Z201X



R0
U

SIS-G-Z201

PART# **DEPTH** **THICKNESS**

C	CHEF-Z201-ZR	10" & 8"	16 Gauge
S	SIS-CZ201-ZR	10" & 8"	16 Gauge
S	SIS-UZ201-ZR	9" & 8"	18 Gauge
*	SIS-UZ201X-ZR	9" & 8"	18 Gauge
**	K SIS-KZ201	-	-

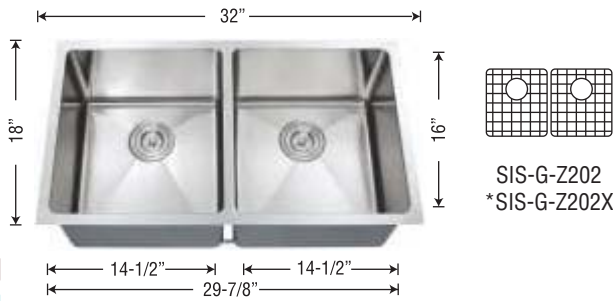
*Smaller Bottom



**Not available for model SIS-UZ201X-ZR

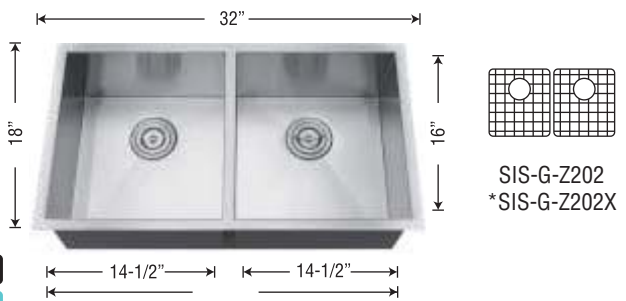
PART# **DEPTH** **THICKNESS**

C	CHEF-Z201R-ZR	8" & 10"	16 Gauge
S	SIS-CZ201R-ZR	8" & 10"	16 Gauge
S	SIS-UZ201R-ZR	8" & 9"	18 Gauge
K	SIS-KZ201	-	-



R15
U

SIS-G-Z202
*SIS-G-Z202X



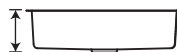
R0
U

SIS-G-Z202
*SIS-G-Z202X

PART# **DEPTH** **THICKNESS**

C	CHEF-Z202	10"	16 Gauge
S	SIS-CZ202	10"	16 Gauge
S	SIS-UZ202	9"	18 Gauge
*	SIS-UZ202X	9"	18 Gauge
**	K SIS-KZ202	-	-

*Smaller Bottom

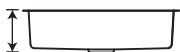


**Not available for model SIS-UZ202X

PART# **DEPTH** **THICKNESS**

C	CHEF-Z202-ZR	10"	16 Gauge
S	SIS-CZ202-ZR	10"	16 Gauge
S	SIS-UZ202-ZR	9"	18 Gauge
*	SIS-UZ202X-ZR	9"	18 Gauge
**	K SIS-KZ100	-	-

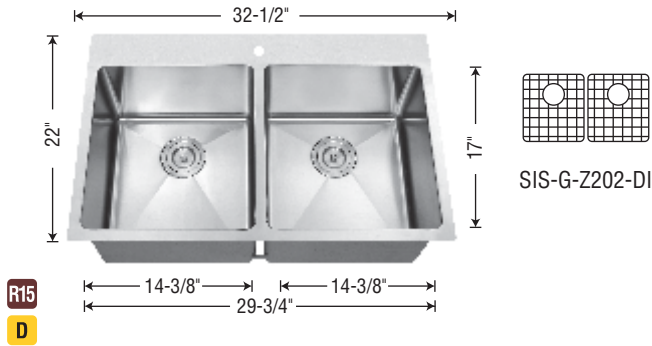
*Smaller Bottom



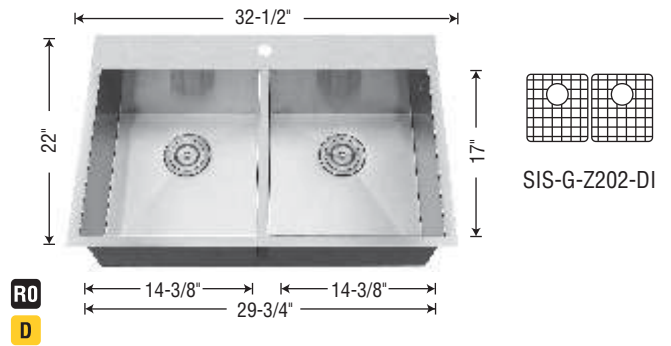
**Not available for model SIS-UZ202X-ZR

U Undermount **DU** Drop-in or Undermount **C** Combo package **S** Sink only **R15** 15mm radius corners **R0** Zero radius 90° corners **K** Kit (1 strainer, 1 salad bowl, 1 grid set, 1 glass cutting board)

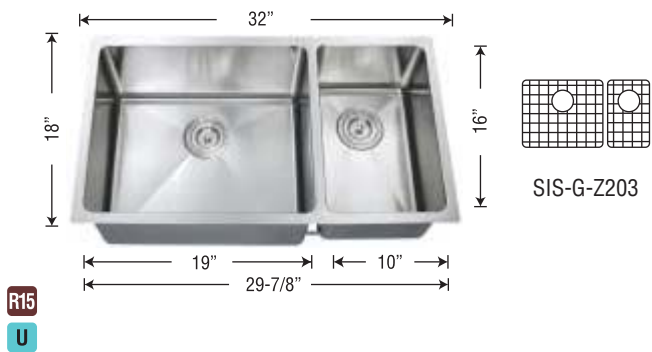
STAINLESS STEEL HANDMADE SINKS



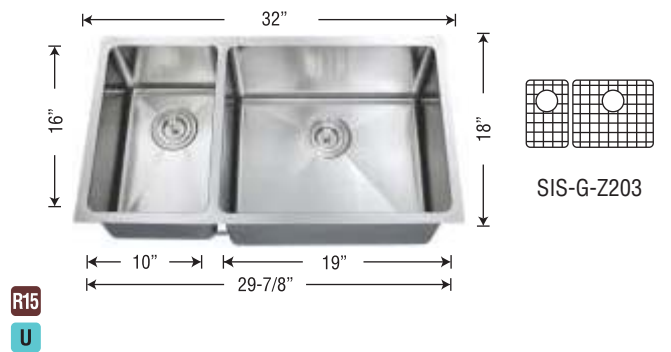
	PART#	DEPTH	THICKNESS
R15			
D			
S	SIS-UZ202-DI	9"	18 Gauge
S	SIS-UZ202-DIA5	5-1/2"	18 Gauge



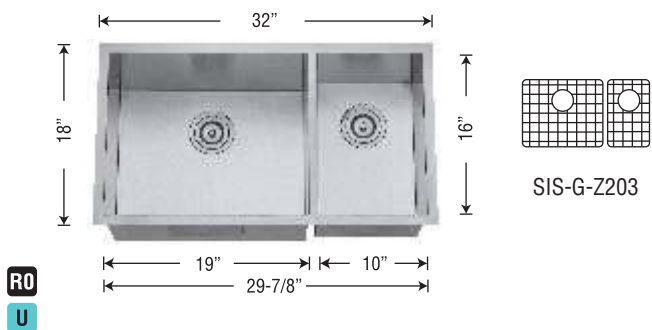
	PART#	DEPTH	THICKNESS
R0			
D			
S	SIS-UZ202-ZRDI	9"	18 Gauge
S	SIS-UZ202-ZRDI5	5-1/2"	18 Gauge



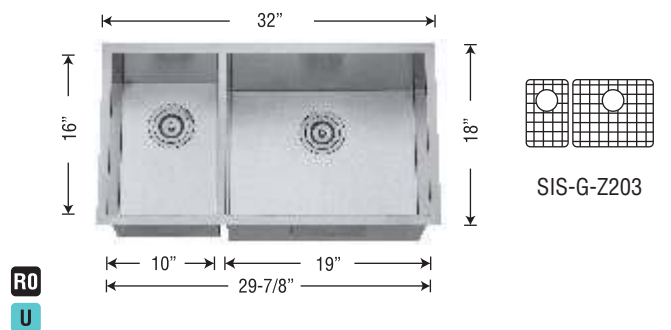
	PART#	DEPTH	THICKNESS
R15			
U			
C	CHEF-Z203	10" & 8"	16 Gauge
S	SIS-CZ203	10" & 8"	16 Gauge
S	SIS-UZ203	9" & 8"	18 Gauge
K	SIS-KZ203	-	-



	PART#	DEPTH	THICKNESS
R15			
U			
C	CHEF-Z203R	8" & 10"	16 Gauge
S	SIS-CZ203R	8" & 10"	16 Gauge
S	SIS-UZ203R	8" & 9"	18 Gauge
K	SIS-KZ203	-	-



	PART#	DEPTH	THICKNESS
R0			
U			
C	CHEF-Z203-ZR	10" & 8"	16 Gauge
S	SIS-CZ203-ZR	10" & 8"	16 Gauge
S	SIS-UZ203-ZR	9" & 8"	18 Gauge
K	SIS-KZ203-ZR	-	-



	PART#	DEPTH	THICKNESS
R0			
U			
C	CHEF-Z203R-ZR	8" & 10"	16 Gauge
S	SIS-CZ203R-ZR	8" & 10"	16 Gauge
S	SIS-UZ203R-ZR	8" & 9"	18 Gauge
K	SIS-KZ203	-	-